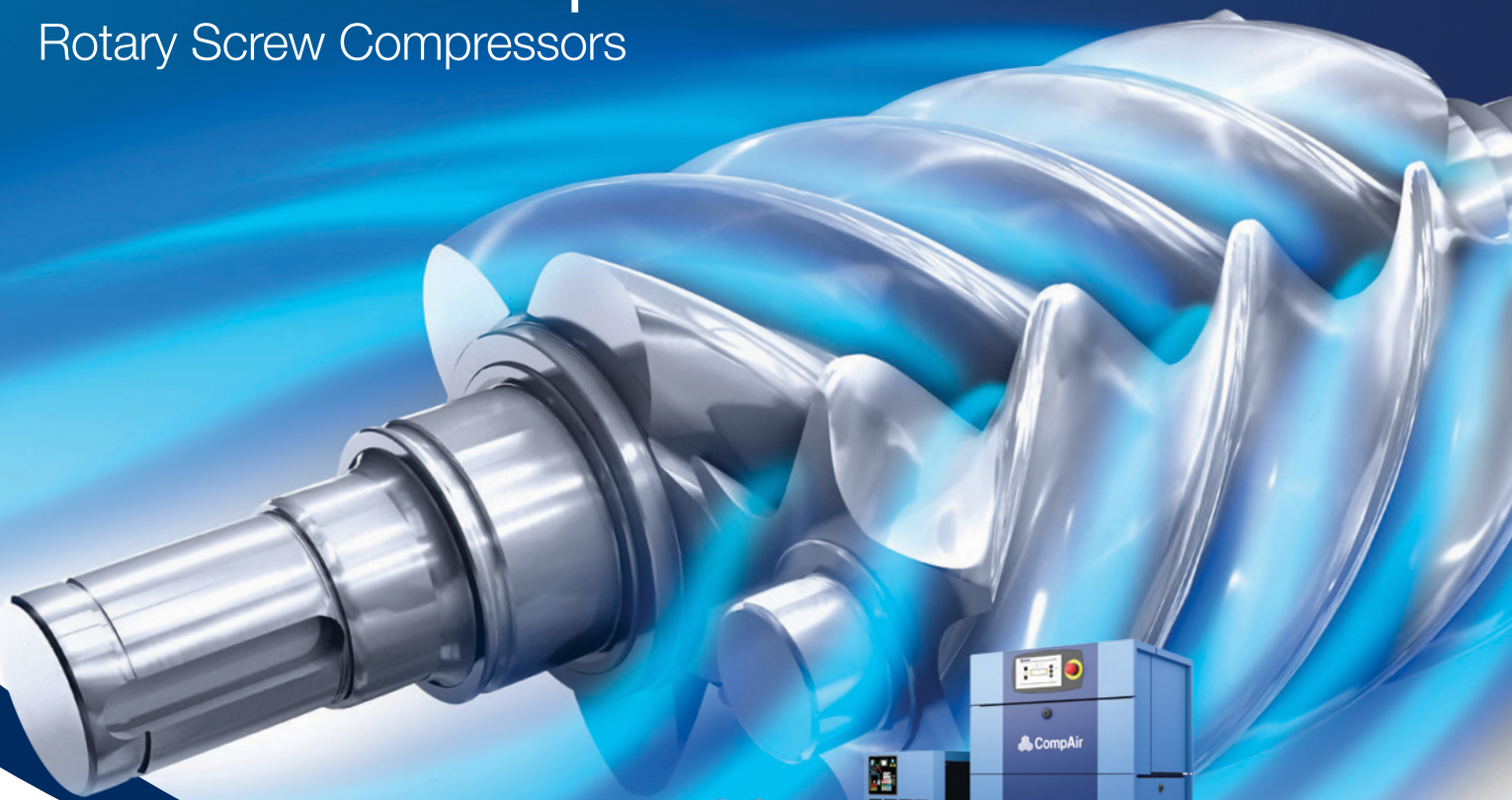




CompAir

Reliability & efficiency without compromise

Rotary Screw Compressors



Premium compressor design
and industry leading warranty

L-Series

7 – 11 kW

Fixed & Regulated Speed

Good - Better - Best Efficiency

The L-Series from CompAir

Well known in the industry for quality and reliability, CompAir continuously develops and expands the L-Series to achieve optimum performance and efficiency and maximum flexibility. The wide range of screw compressors from 7 to 11 kW includes fixed and regulated speed models, high efficiency e-models and is available as a station including receiver and refrigerant dryer.

Standard Range Fixed & Regulated Speed

- ▶ **Pressure range**
5 to 13 bar
- ▶ **Volume flow**
0.43 to 1.59 m³/min
- ▶ **Motor power**
7.5 to 11 kW



e Range Fixed & Regulated Speed

- ▶ **Pressure range**
5 to 13 bar
- ▶ **Volume flow**
0.41 to 1.87 m³/min
- ▶ **Motor power**
7.5 to 11 kW



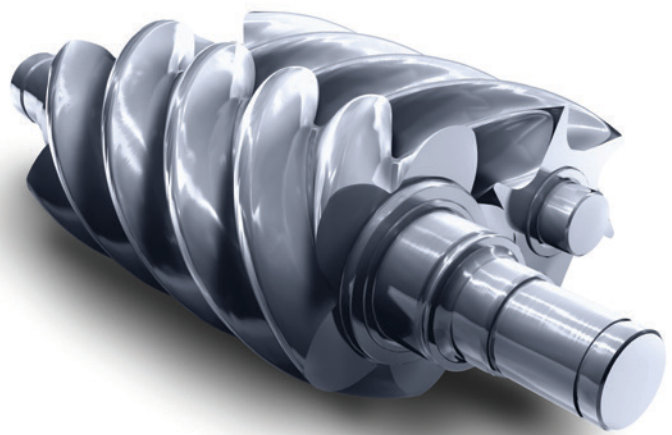


Engineering excellence

Compressors are more than just a financial investment, they are a key component in ensuring that manufacturers, processors and operators receive consistent, high quality low cost air. The screw compression element is the heart of the compressor and therefore CompAir keeps the design and manufacture in-house, using the latest CNC rotor grinding machinery, coupled with online laser technology. The resulting reliability and performance ensure that operating costs will remain low throughout the compressor's life.

Our top quality airends are covered by the new 10 years warranty and up to 44,000 hours*

The dryers too are designed and manufactured in-house – the customer designed heat exchangers and patented control board delivering the very best combination of high efficiency, low pressure drop and small footprint.



Known for reliability, continuously developed in efficiency, extended with flexibility, unmatched in terms of warranty.



Under the new Assure warranty, which is completely free of charge, the airends are **covered 10 years and up to 44,000 hours.**

* Whichever is soonest

The right product to do the job

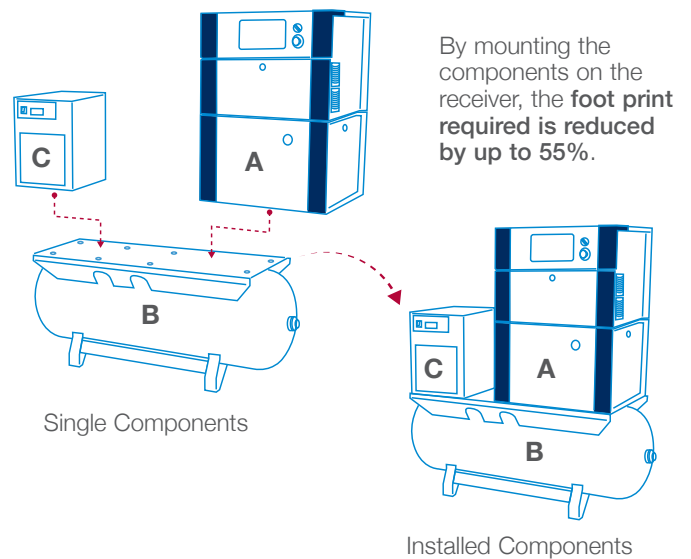
Standard range L07 to L11, RS Fixed & regulated speed

Based on the individual customer requirements, the compressors can be combined with different options to provide maximum flexibility. The combined versions including receiver or/and dryer are space saving solution – ideal where floor space is precious.

- Compressor base mounted
- Complete package including compressor, dryer and receiver

The stand alone compressors feature a very compact design with a class-leading footprint of just 0,4 m². In the combination with dryer and receiver the floor space can be optimised, in addition the installation is very easy.

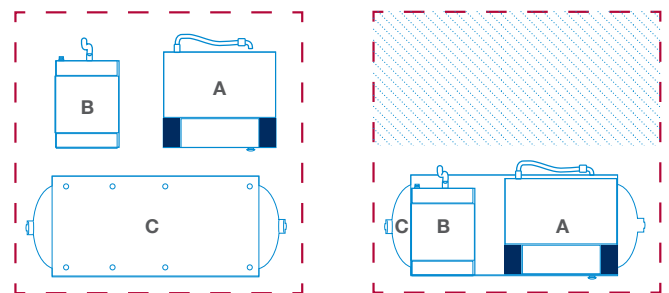
SMALL FOOT PRINT



In-house made airend

The high quality airends use state-of-the-art manufacturing techniques. They are designed with focus on reliability and efficiency. The rotors are accurate and thoroughly checked and measured by a computerised control system. The airends achieve a flat specific power consumption curve, which enables efficient use in wide rpm range.

TOP VIEW



Minimum floor space required

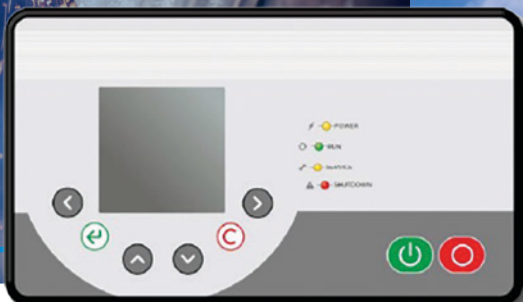
$A + B + C = 1.25 \text{ m}^2$ (L07 - L11) $A + B + C = 3.9 \text{ m}^2$



“

This range of screw compressors allows for ambient temperatures up to 46°C. The generously sized ventilation system ensures optimum cooling, low outlet air temperatures.

”



New advanced controller C-PRO 2.0 Ensures reliable operation and protecting your investment by continuously monitoring the operational parameters

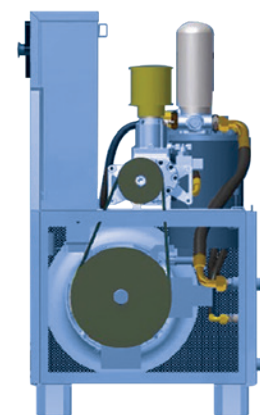
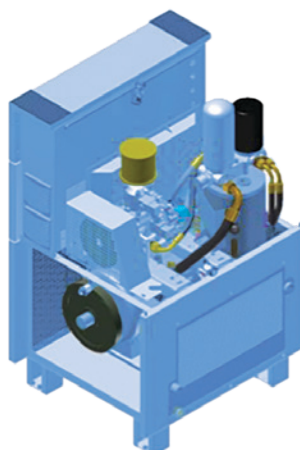
The C-PRO 2.0 controller is designed to make the operators' interface with the variable speed drive transparent. This new generation controller features extra functions for variable speed compressors like drive status display and flexible PID setting according the application. You don't need to be an expert on variable speed drives to operate your compressor. The controller takes care of the details and automatically adjusts the compressor performance to meet your changing air system demands - saving you energy. Changing the discharge pressure is as easy as pressing a button.

- 3 analog inputs
- Multi-language
- Standard sequence control up to 8 units (up to 7 units fixed speed & 1 variable speed)
- Standard Modbus
- 15 failure records in memory
- Continuous system monitoring

Highly Efficient Motors

The range is equipped with reliable and highly efficient electric motors.

- International efficiency class 2 (IE3) as a standard
- IP 55 enclosure
- Full performance up to 46°C ambient temperature



Belt Auto Tensioning system

Easy maintenance

The compressors are designed to ensure easy access to the maintenance points. The panels can be easily removed and the limited number of moving parts reduces service costs.

The automate tensioning of the belt assures long life of the belt, less maintenance and noise reduction.

Best efficiency – Made in Germany

e-Range highly efficient compressors, fixed and regulated speed

The e-range of the L-Series are designed and manufactured in the Center of Excellence in Simmern, Germany. The most important component of a compressor, the airend, is also produced on this site. The engineering team develop airends which perfectly match the compressor requirements and achieve highest performance and efficiency levels. The engineering and manufacturing teams are proud to build this range, which is known in the market not only for the efficiency but also for the flexibility it offers. The compressors are available mounted on a receiver and with a dryer, providing a compact solution and minimum space requirement.



A design concept based on reliability and flexibility

▶ Fully integrated airend

The advanced design of the high efficiency airend allows operation at low rotational speeds, and consequently lowers the energy costs. The innovative integrated design, including oil separation, oil filter and thermostatic valve, reduces the number of external hoses and components offering excellent reliability.

▶ Combined air/oil cooler

Equipped with a bypass for rapid warm-up and control of the oil temperature, reducing wear, eliminating condensate in the compressor system and providing low air discharge temperature.

▶ High efficiency electric motor

The compressors are equipped with an energy saving IE3 electric motor.

▶ Automatic belt tensioning system

The maintenance-free system provides automatic and accurate belt tension and extends the belt life.

▶ Factory-filled lubricant

Reduces service costs by extending the oil change period to up to 4,000 hours.

▶ Low noise levels

Allows the compressor to be placed at the point of use.

▶ Up to 45°C ambient temperature

Reliable operation, even in challenging environments.

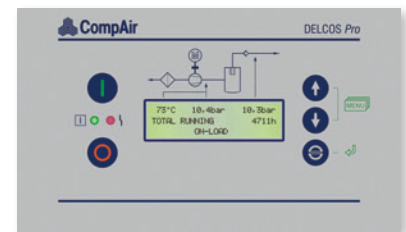


It is exactly the quality you would expect from a company with a heritage of more than 200 years



Delcos Pro compressor controller

The control system ensures reliable operation and protects the investment by continuously monitoring operational parameters. The Delcos Pro also has the capability to have programmable inputs and outputs, control additional equipment as well as providing the following features in clear readable text:



- Discharge/line pressure display
- Air/oil temperature display
- Total hours run and under load
- Service due indicator
- Enhanced fault log monitor
- Real time clock
- Timer controlled stop/start
- Remote start/stop
- Auto restart after power failure
- Second pressure setting
- Status indication
- RS485 - Modbus RTU

Ergonomic controller positioning

Controller can be positioned on top or front of the compressor.

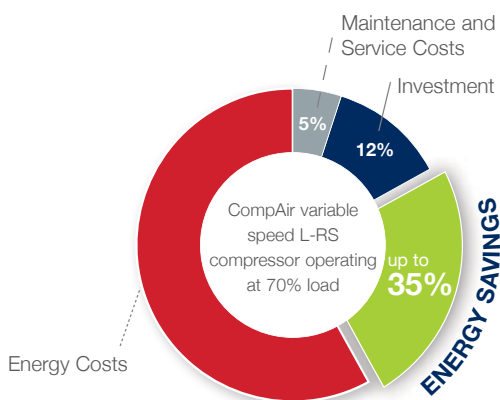


AirPlus

The perfect response to individual air demand

Regulated speed compressors from CompAir can efficiently and reliably handle the varying air demand found in most plant air systems.

The annual cost of ownership can be significantly reduced using regulated speed technology.



CompAir RS features are your benefits

The L-RS Series products are designed to obtain the greatest efficiency across the entire operating range.

- ▶ **Wide regulation range**
No cycles means substantial energy savings
- ▶ **Perfect motor - drive - airend design**
High efficiency across broad flow range



Compressed air purification

A modern production system and process demands increasing levels of air quality. A CompAir compressed air system utilising the latest technology provides an energy efficient solution at lowest life cycle costs.

- Water Cyclone Separator X Series
- Compressed Air Filter CF Series
- Condensate Drain System
- Compressed Air Refrigerant Dryer
- Heatless Desiccant Dryers
- Heat Regenerative Desiccant Dryers
- Nitrogen Generator
- SmartAir Master Multi Compressor Controllers

The best investment protection you can get



10 Years Warranty!

The CompAir Assure Warranty and Service programmes will assure you up to 44,000 hours/10 years ¹⁾. It is one of the most generous warranties available in the industry affording you total peace of mind.

Your benefits:

- The Assure warranty is totally free to the compressor owner ²⁾
- The CompAir authorised service provider will deliver a guaranteed quality of service
- An Assure service agreement underpinning the warranty will enable accurate maintenance, budgeting and cost of ownership
- The use of genuine CompAir parts and lubricants will maximise compressor life and efficiency

¹⁾ Warranty duration is limited to 6 years/44,000 hours on the whole package, 10 years/44,000 hours on the air end. Whichever is the soonest.

²⁾ Subject to Terms & Conditions



Compact design – easy installation

The small footprint reduces the space required for installation.

Easy servicing

The design of these packages ensures that the service points are readily accessible. The enclosure side doors are hinged and removable to allow complete access to all service points. The reduced number of moving parts further lowers the maintenance costs.

CompAir genuine spare parts

Enjoy complete peace of mind.

Genuine CompAir parts and lubricants ensure that compressed air plant reliability and efficiency is maintained at the highest standards. CompAir spare parts and lubricants are distinguished by:

- Long service life, even under harshest conditions
- Minimum losses contributing to energy savings
- High reliability improves plant up-time
- Products manufactured with the strictest Quality Assurance Systems

CompAir L-Series - Technical Data

Standard Range

L07 - L11 Fixed Speed

Compressor Model	Nominal Pressure	Drive Motor	FAD ¹⁾		Noise Level ²⁾	Weight	Dimensions L x W x H [mm]
	[bar g]		[m ³ /min]	[kW]			
L07	7	7.5	1.14		70	205	667 x 630 x 1050
	8		0.99				
	10		0.97				
	13		0.80				
L11	7	11	1.59		70	219	667 x 630 x 1050
	8		1.58				
	10		1.39				
	13		1.14				

L07 RS - L11 RS Regulated Speed

Compressor Model	Nominal Pressure [bar g]	Drive Motor [kW]	FAD ¹⁾ [m ³ /min]		Noise Level at 70% load ²⁾ [dB(A)]	Weight [kg]	Dimensions L x W x H [mm]
			min.	max.			
L07 RS	7	7.5	0.45	1.13	67	225	667 x 630 x 1050
	8		0.46	0.98			
	10		0.43	0.95			
	13		0.45	0.77			
L11 RS	7	11	0.53	1.58	67	234	667 x 630 x 1050
	8		0.52	1.56			
	10		0.51	1.39			
	13		0.49	1.07			

L07 - L11 / L07 RS - L11 RS Airstation

Compressor Model	Nominal Pressure [bar g]	Refrigeration Dryer ³⁾	Air Receiver [Volume]	Air Outlet	Weight [kg]	Dimensions L x W x H [mm]
L07 / L07RS	7	✓	270 litres	RP ¾"	340 / 360	1540 x 676 x 1550
			500 litres		405 / 425	1885 x 700 x 1643
	8		270 litres		340 / 360	1540 x 676 x 1550
			500 litres		405 / 425	1885 x 700 x 1643
	10		270 litres		340 / 360	1540 x 676 x 1550
			500 litres		405 / 425	1885 x 700 x 1643
L11 / L11RS	7	✓	270 litres	RP ¾"	354 / 369	1540 x 676 x 1550
			500 litres		419 / 434	1885 x 700 x 1643
	8		270 litres		354 / 369	1540 x 676 x 1550
			500 litres		419 / 434	1885 x 700 x 1643
	10		270 litres		354 / 369	1540 x 676 x 1550
			500 litres		419 / 434	1885 x 700 x 1643

e - Range

L07° - L11° Fixed Speed

Compressor Model	Nominal Pressure	Drive Motor	FAD ¹⁾		Noise Level ²⁾	Weight	Dimensions L x W x H [mm]
	[bar g]		[m ³ /min]	[m ³ /min]			
L07°	7.5	7.5	1.30		70	215	667 x 630 x 1050
	10		1.06				
	13		0.85				
L11°	7.5	11	1.87		70	225	667 x 630 x 1050
	10		1.61				
	13		1.32				

L07° RS - L11° RS Regulated Speed

Compressor Model	Nominal Pressure [bar g]	Drive Motor [kW]	FAD ¹⁾ [m ³ /min]		Noise Level at 70% load ²⁾ [dB(A)]	Weight [kg]	Dimensions L x W x H [mm]
			min.	max.			
			L07° RS	7.5			
10	0.44	1.01					
13	0.41	0.83					
L11° RS	7.5	11	0.63	1.81	64	231	667 x 630 x 1050
	10		0.64	1.56			
	13		0.57	1.26			

L07° - L11° / L07° RS - L11° RS Airstation

Compressor Model	Nominal Pressure [bar g]	Refrigeration Dryer ³⁾	Air Receiver [Volume]	Air Outlet	Weight [kg]	Dimensions L x W x H [mm]
L07° / L07° RS	7.5	✓	270 litres	RP ¾"	336 / 353	1541 x 695 x 1577
	10					
L11° / L11° RS	7.5	✓	270 litres	RP ¾"	350 / 362	1541 x 695 x 1577
	10					

¹⁾ Data measured and stated in accordance with ISO 1217 Ed. 4, Annex C & Annex E and the following conditions:
Air Intake Pressure 1 bar a, Air Intake Temperature 20° C, Humidity 0 % (dry)

²⁾ Measured in free field conditions in accordance with ISO 2151 and ISO 9614-2, tolerance ± 3 dB(A).

³⁾ The refrigerant dryer requires a separate electric supply. Data refer to DIN ISO 7183, 8573-1:2010
(class 4, pressure dew point 3° C). For further specifications please refer to refrigerant dryer documentation.

Global experience – truly local service

With over 200 years of engineering excellence, the CompAir brand offers an extensive range of highly reliable, energy efficient compressors and accessories to suit all applications.

An extensive network of dedicated CompAir sales companies and distributors across all continents provide global expertise with a truly local service, ensuring our advanced technology is backed up with the right support.

CompAir has consistently been at the forefront of compressed air systems development, culminating in some of the most energy efficient and low environmental impact compressors on the market today, helping customers achieve or surpass their sustainability targets.



CompAir compressed air product range

Advanced Compressor Technology Lubricated

- Rotary Screw
 - > Fixed and Regulated Speed
- Piston
- Portable

Oil-Free

- Water Injected Screw
 - > Fixed and Regulated Speed
- Two Stage Screw
 - > Fixed and Regulated Speed
- Piston
- High Speed Centrifugal - Quantima®
- Rotary Scroll

Complete Air Treatment Range

- Filter
- Refrigerant and Desiccant Dryer
- Condensate Management
- Heat of Compression Dryer
- Nitrogen Generator

Modern Control Systems

- CompAir DELCOS Controllers
- SmartAir Master Sequencer
- iConn - Smart Flow Management

CompAir policy is one of continuous improvement and we therefore reserve the right to alter specifications and prices without prior notice. All products are sold subject to the Company's conditions of sale.

Value Added Services

- Professional Air Audit
- Performance Reporting
- Leak Detection

Leading Customer Support

- Custom Engineered Solutions
- Local Service Centres
- Genuine CompAir Parts and Lubricants